

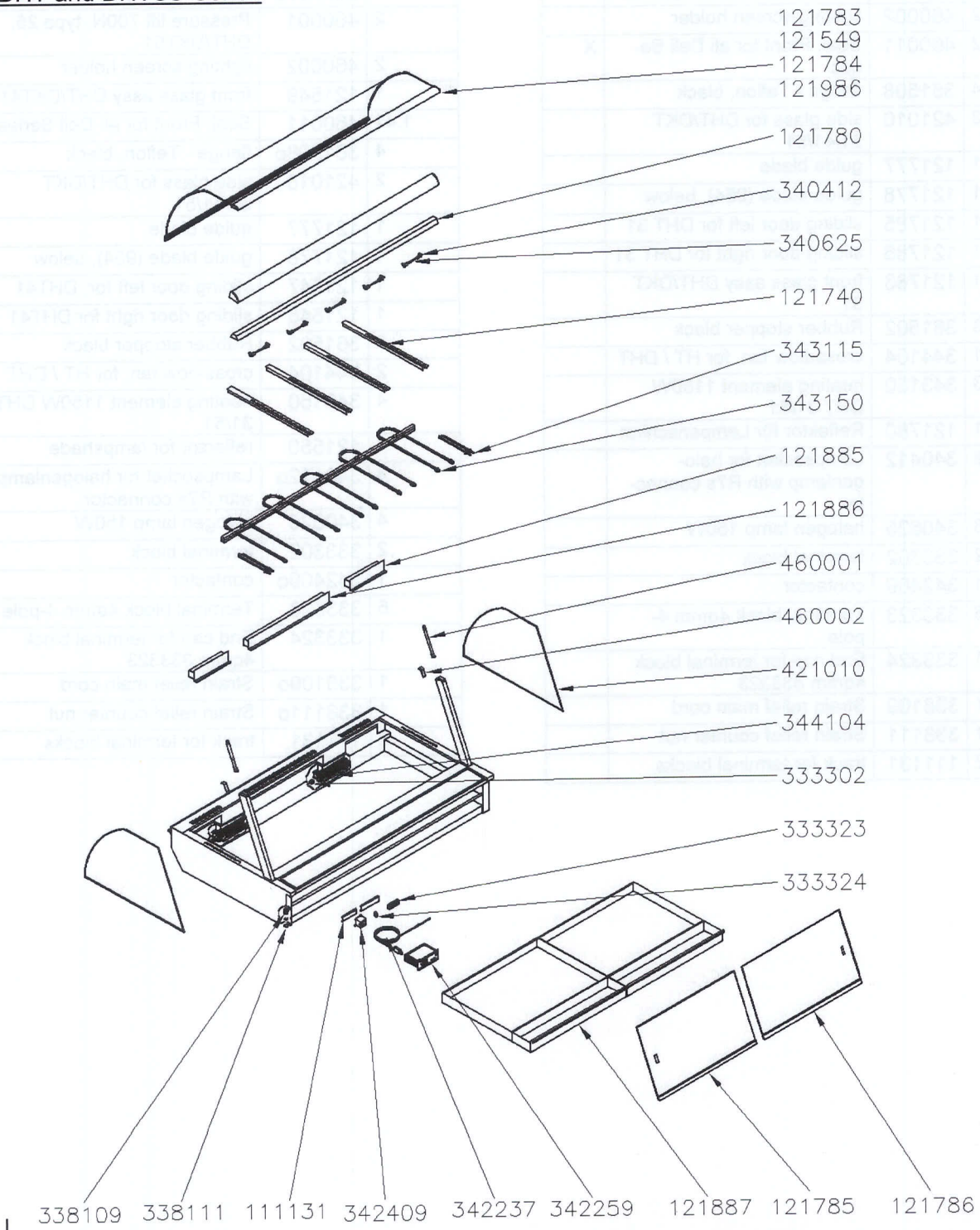
6.4 Spare Parts

Defect parts are to be replaced only by original spare parts of the company UBERT GASTROTECHNIK GMBH; the replacement is to be carried out only by their service personal or by your authorized Service companies. Only these two companies are allowed to carry out service work and replacement of defect parts. If you do not observe this note or in case of manipulation of a third party any claims for guarantee will become invalid! Also all certifications (CE, UL, NSF and the like) become invalid!



6.4.1 Explosion Diagram

DHT and DHTSS-Series



DHT51 and DHT51SS

Amount	Part No.	Description	VT
2	121885	crumbdrawer small	
1	121886	crumb drawer big	
2	121887	water drawer	
4	121874	intermediate rail for DHT 41/51	
1	342259	Digital Control for HT, DHT	
1	342237o	Temperature probe PT100	
2	460001	Pressure lift 700N, type 25, DHT/DKT51	
2	460002	lighting screen holder	
1	121784	front glass assy DHT/DKT 51	
1,98	460011	Seal, Front for all Deli Series	X
2	421010	side glass for DHT/DKT 31/41/51	
4	361508o	flange - Teflon, black	
1	121746	guide blade top DHT51	
1	121748	guide blade below DHT51	
1	121787	sliding door left for DHT 51	
1	121788	sliding door right for DHT 51	
2	344104	cross-flow fan, for HT / DHT	
2	343115	heating element 1000W DHT 51	
5	343150	heating element 1150W DHT 31/51	
1	121750	Track for terminal block	
1	121751	reflector	
10	340412o	Lampsocket for halogenlamp with R7s connector	
5	340625	halogen lamp 150W	
3	333302	terminal block	
1	342409o	contactor	
7	333323	Terminal block 4qmm 4-pole	
1	333324	End cap for terminal block 4qmm 333323	
1	338109o	Strain relief main cord	
1	338111o	Strain relief counter nut	

DHT71 and DHT71SS

Amount	Part No.	Description	VT
2	121885	crumbdrawer small	
2	121886	crumb drawer big	
1	121984	water drawer	
6	121874	intermediate rail for DHT 41/51	
1	342259	Digital Control for HT, DHT	
1	342237o	Temperature probe PT100	
8	460207	Pressure lift 400N	
1	121986	Frontglas curved DHT/DKT 71, assembly	X
2	421107	side glass for DHTG31/41/51/71	X
2	121988	guide blade	
2	121989	guide plate (1188), below	
2	121990	sliding door left for DHT 71	
2	121992	sliding door right for DHT 71	
8	361502	Rubber stopper black	
3	344104	cross-flow fan, for HT / DHT	
2	343115	heating element 1000W DHT 51	
7	343150	heating element 1150W DHT 31/51	
1	121750	Track for terminal block	
1	121751	reflector	
14	340412o	Lampsocket for halogenlamp with R7s connector	
7	340625	halogen lamp 150W	
7	333302	terminal block	
1	342404	Contactor	
7	333323	Terminal block 4qmm 4-pole	
1	333324	End cap for terminal block 4qmm 333323	
1	338109o	Strain relief main cord	
1	338111o	Strain relief counter nut	